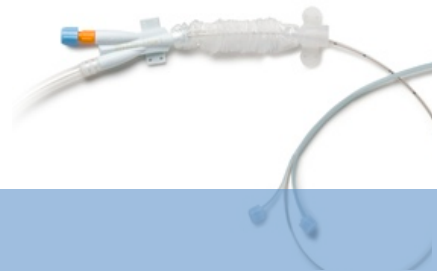


INSIGHTRA[®]

MEDICAL



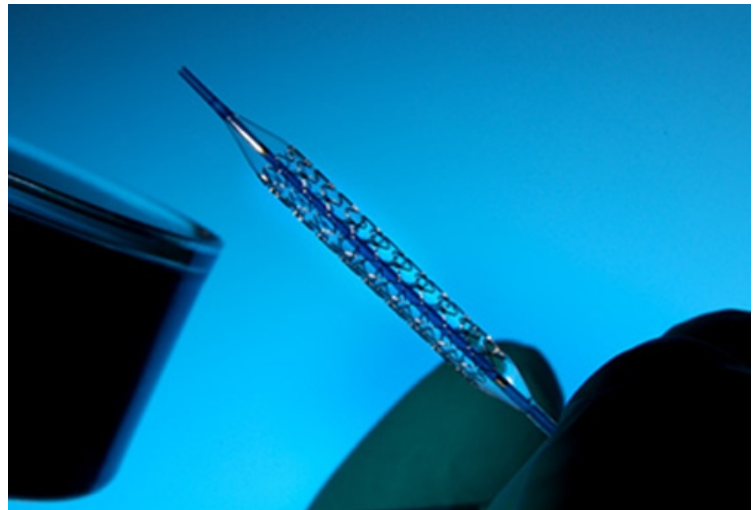
BUILDING BETTER HEALTH

Insightra Medical Inc is dedicated to improving the lives of patients by building better medical devices. This is what gets us up in the morning and drives us throughout the day.

We're never satisfied - always striving to make our products better and find new exciting products that make patients better.

We are a truly global company with footprints in North America, Europe, Asia and Latin America. And by footprint we don't mean a US based company that sells in these regions. Our entire management team is spread across the world - ensuring the best ideas come from regional countries and the products we make are relevant across the globe.

Established in 2001, Insightra has been building an innovate range of products focused on therapeutic, single use consumable medical devices. We stay focused in the fields of CardioVascular, General Procedures and Uro-Gynecology.



FREEDOM – INGUINAL

Freedom Inguinal Hernia Repair System



INSIGHTRA.
MEDICAL

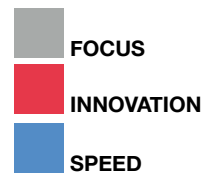
CLINICAL NEEDS...

DRIVE OUR DESIGN

Everything about our unique products is based upon a key factor - the unmet clinical need.

We ask "How do we solve that problem?"

Through focused R&D, years of market experience and collaboration with some of the top thought leaders - we find the right solution.



Gynecology/ Urology

Gynecological, urological and urogynecology product ranges



We have a range of products that deal with common gynecological problems such as Feminine Prolapse, incontinence, hysterectomy. Male urology including penile prosthesis implantation and male incontinence.

General

General surgery & endoscopy product ranges



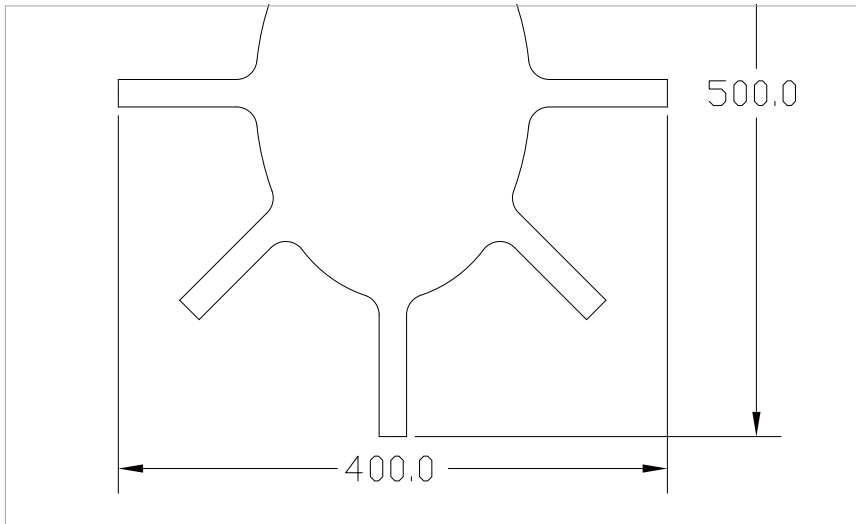
Our General surgery range is heavily focused on innovating in the field of both inguinal & ventral hernia. But we also have an eye to the future with technologies in the emerging fields of natural orifice surgery and NOTES

CardioVascular

Cardiac surgery, cardiology and vascular product ranges



Inshitra brings the smallest IAB catheters in the widest range of balloon volumes. With unrivaled performance on all leading consoles. We also have a range of class leading CoCr bare metal stents and high performance coronary dilatation balloons.



MANAGED THROUGH EXPERIENCE

Our management team is made from some of the top medical device industry experts.

With a combined experience of over 100 years, and management roles in Johnson&Johnson, Medtronic, Baxter, Edwards Lifesciences, Alsius...

It's the management team that makes the difference: Fast, experienced decision making that ensures projects progress at a speed expected by our customers. Yet with an eye on quality and getting it right first time.

All of this contributes to a robust product pipeline, timely product development and products that genuinely meet unmet clinical needs.



PARTNERING FOR SUCCESS

Insigtra does what it knows best - R&D and Building strategic product platforms. But for sales and distribution we leave that to the experts. Global leaders like: Medline Industries, ArcRoyal, Intas Medi-Devices and our network of experienced global distributors.



INSIGHTRA[®]

MEDICAL

www.insightra.com

9200 Irvine Center Drive
Irvine
California
92618

info@insightra.com

Tel: +1 949 215 1835